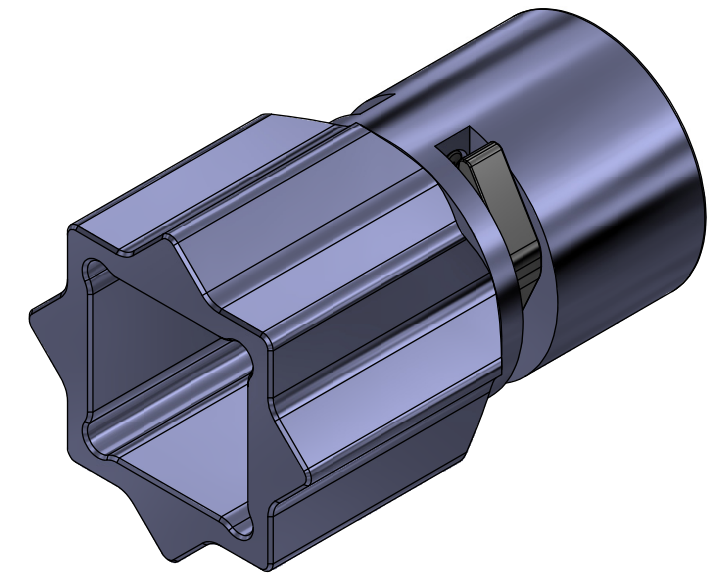
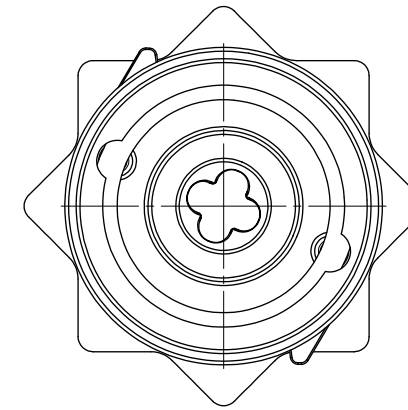
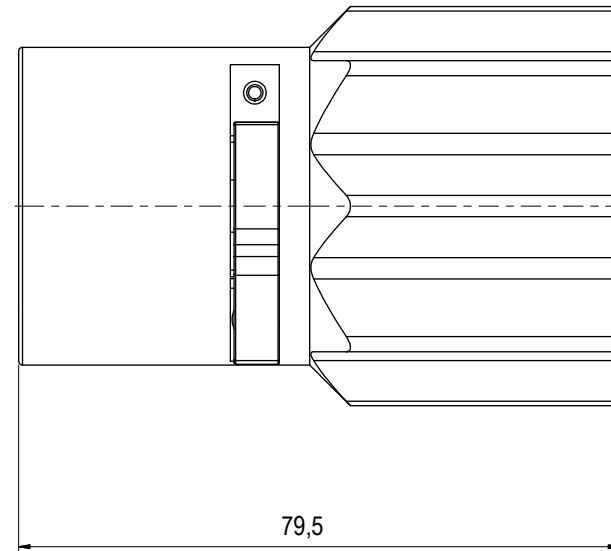
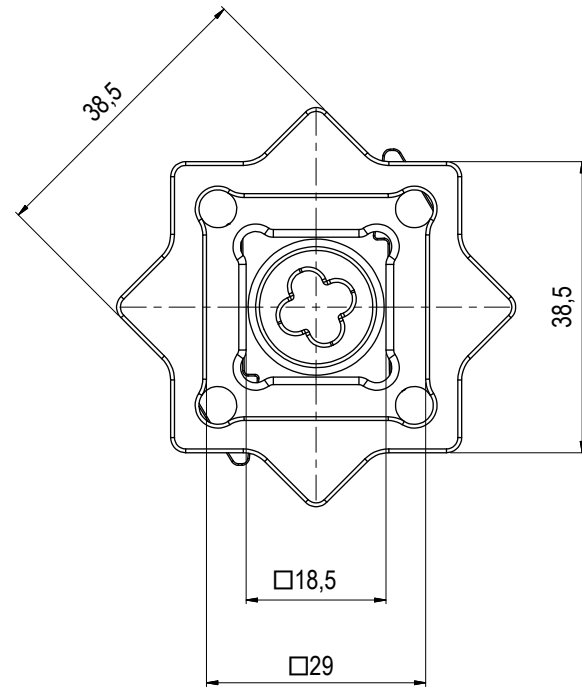


NOTE: 1  
 DESIGN CODE:  
 N/A

NOTE: 2  
 TECHNICAL CLASSIFICATION:  
 Article Type: 008-Actuation  
 Main Group: 8.01. ISO 1 to 4 Actuation  
 Intermediate Group: 8.44.01. Tool  
 Sub Group: 8.44.114.02. Intervention

NOTE: 3  
 INTERFACE INFORMATION:  
 Pressure Rating Bar: 300  
 Design Water Depth: 3000m  
 Material: N/A  
 Weight: 0,3 kg  
 Volume: 0,07 dm<sup>3</sup>  
 Submerged Weight: 0,2 kg  
 Surface Area: 337 cm<sup>2</sup>  
 Hydraulic: N/A  
 Mechanical: Iso Class 1-4 Interface  
 Electrical: N/A  
 Com. & Protocol: N/A



04	11.12.2019	7-IFC (Issued for Construction)		WTJ	LGH	WTJ
03	22.7.2019	7-IFC (Issued for Construction)		WTJ	KOS	LGH
02	1.7.2019	2-IFT (Issued for Tender)		LGH	N/A	N/A
01	13.2.2019	2-IFT (Issued for Tender)		WTJ	LGH	WTJ
Rev.	Date	Reason for issue	Revision change	Made	Chk'd	Appr.



Dwg Scale:	
Dwg Proj:	
Dwg Format:	A3

Drawing title:	Class 3 Adapter Subsea Replaceable V2	
Drawing number:	BB3129	NTS
Rev.	04	